

## Z627 HEAVY-DUTY ADJUSTABLE ISOLATION DECK DRAIN



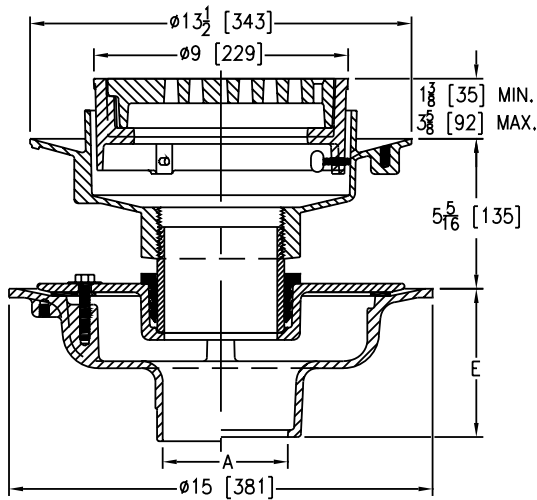
### ENGINEERING SPECIFICATION

Zurn Z627 adjustable isolation deck drain features Dura-Coated cast iron upper and lower bodies, clamp collar, neoprene flex gasket, isolation nipple, and 8" diameter round, heavy-duty grate.

### NOTES

†Add 3/16" to 1-3/8" through 3-5/8" dimension and 3/4" to 9" dimension for ZN

A Pipe Size inch [mm]	Grate Open Area sq in [cm <sup>2</sup> ]	Approximate Weight lb [kg]
2 [51], 3 [76], 4 [102]	18 [116]	65 [29]
6 [152]		



PREFIXES	DESCRIPTION	PIPE SIZE	LIST PRICE
Z627*	D.C.C.I. Body and Top	2", 3", 4"	1,318.00
		6"	1,620.00
ZN627	D.C.C.I. Body with Polished Nickel Bronze Top	2", 3", 4"	1,819.00
		6"	2,119.00

OUTLETS (SPECIFY PIPE SIZE IN INCHES AND TYPE OF OUTLET)			
OUTLET TYPE	PIPE SIZE/OUTLET TYPE	E BODY HT. DIM.	ADD
NH	No-Hub	2NH, 3NH, 4NH, 6NH	5-1/4" N/C
NL	Neo-Loc	2NL, 3NL, 4NL	4-5/8" N/C

SUFFIXES			ADD
-C	Underdeck Clamp (Lower Body)		244.00
-CC	Clamp Collar (Upper Body)		N/C
-DG	Duresist Grate		217.00
-G	Galvanized Cast Iron		1,378.00
-R	Sump Receiver (Lower Body)		272.00
-TS	Top Secured with Slotted Screws		129.00
-VP	Vandal-Proof Secured Top		149.00
-Y	Sediment Bucket		140.00

BEST SELLERS		LIST PRICE
Z627-3NH		1,318.00
Z627-3NH-VP		1,467.00
ZN627-3NH		1,819.00

Supplied By:



877-903-7246

www.commercialplumbingsupply.com